

Extension board ExtBinIn for SMARTCON control

1 General

The additional extension board ExtBinIn extends the SMARTCON with up to five configurable binary inputs. The additional extension board ExtBinIn is a hardware option and should be ordered in combination with the SMARTCON control unit.

A later installation is possible.

The additional extension board ExtBinIn is mounted below the logic board of the SMARTCON control unit.

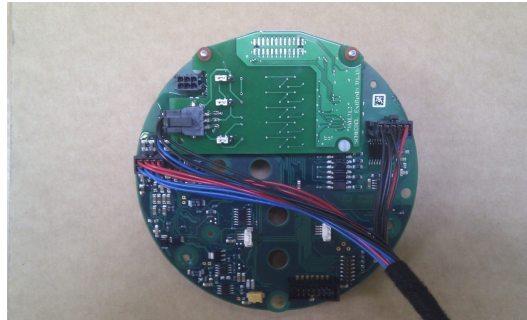


Figure 1: Installation

2 Input configurations

The requested input configuration is defined by three jumpers on the additional extension board ExtBinIn.

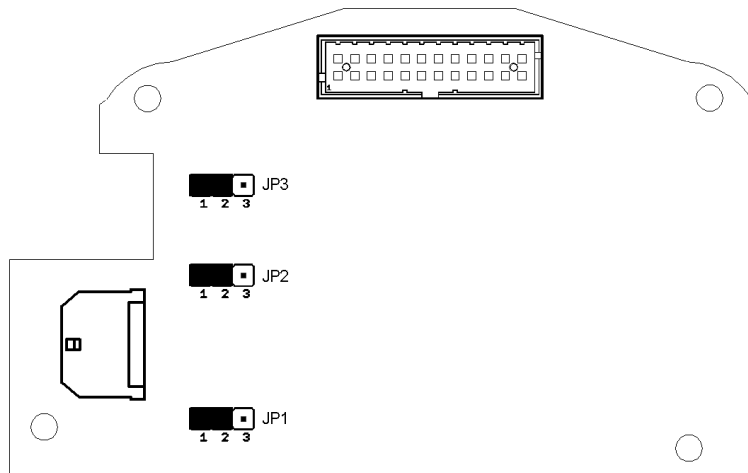


Figure 2: Jumper

2 Input configurations

Following configurations are available:

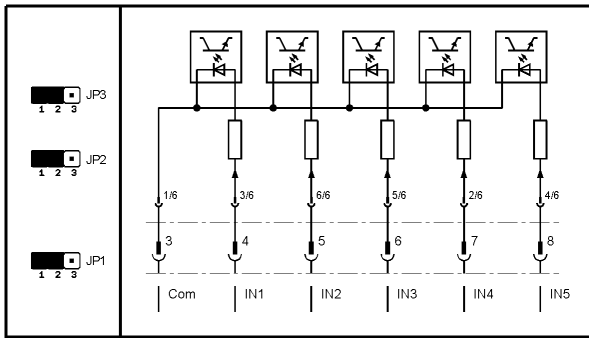


Figure 3: 5 inputs with same common

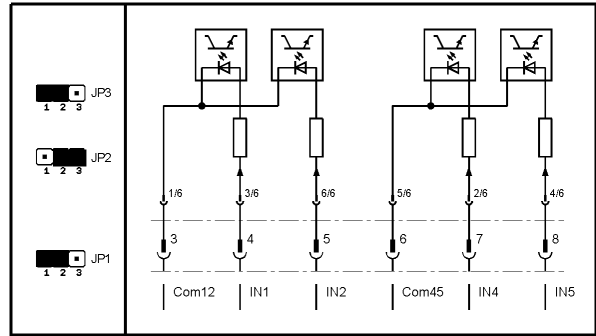


Figure 4: 2 separated groups of 2 inputs with same ground

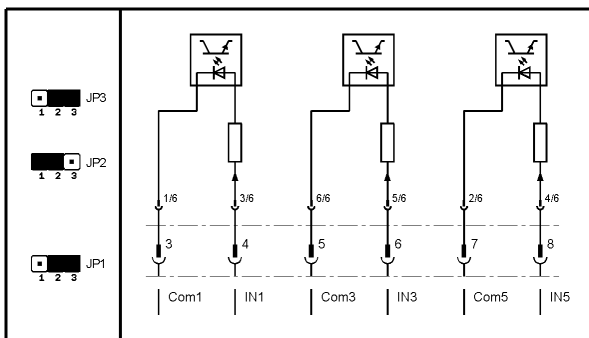


Figure 5: 3 separated inputs

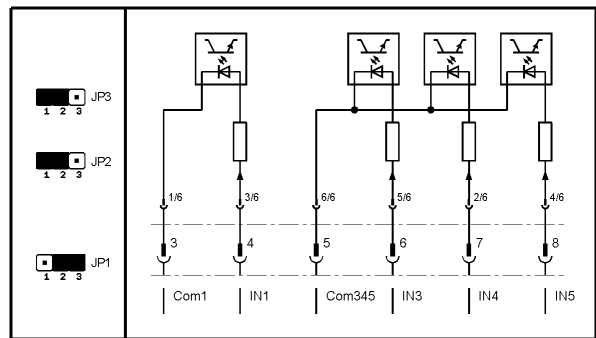


Figure 6: 3 inputs with same common and 1 separated input

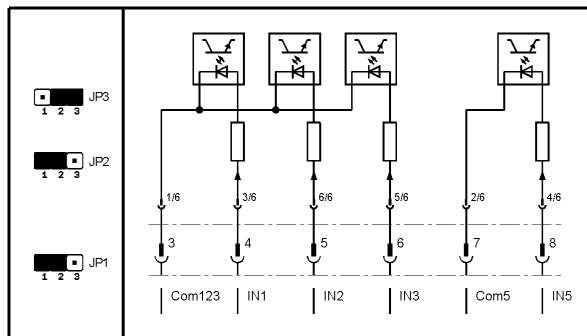


Figure 7: 1 separated input and 3 inputs with same common

3 Technical data

Numbers of inputs:.....	5 max.
Nominal voltage:.....	24...48VDC
Threshold voltage.....	11V typ.
Voltage level for input in ON state.....	12V min.
Voltage level for input in OFF state.....	10V max.
Maximum voltage.....	60VDC
Current consumption at 24VDC.....	7,5mA typ.

The inputs of the additional extension board ExtBinIn are optically separated from the rest of the SMARTCON control.

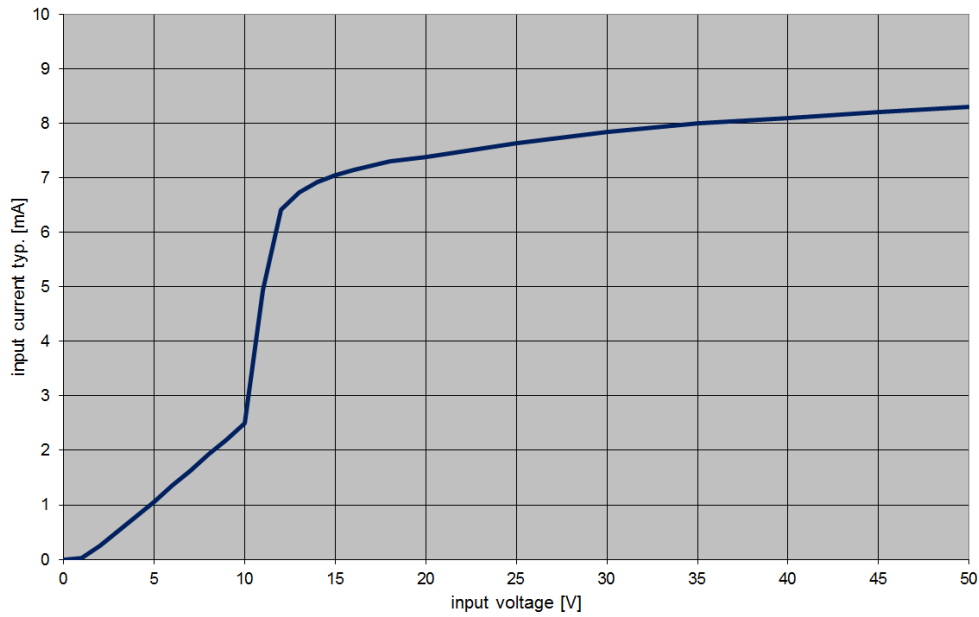


Figure 8: Typical input characteristic